



*Model SS/P/CY-1 Smoker's Stack with Base Plate.
Finished in Yellow Powder Coat.*

Shown on right with inner collection tube removed for cleaning.

- **Heavy gage all steel construction**
- **Anchors permanently in location**
- **Opening accepts tobacco products but restricts deposit of trash**
- **Removable inner collection tube for easy cleaning**
- **Durable powder coat finish**

SPECIFICATIONS:

- **Model SS/P-1** Smoker's Stack is constructed of a 4" x 4" x 36" 14 ga. steel square outer tube with a welded 8" x 8" x 10 ga. steel base plate with four 7/16" dia. holes for anchoring to hard surfaces (anchor bolts included) and a 3-1/2" dia. x 11 ga. x 34" steel inner collection tube with a 14 ga. formed and welded rain hood.
- Overall height is 40" (nom).
- The inner collection tube is secured into the outer tube by means of a 3/8"-16UNC x 1" socket head cup point set screw. A 3/16" hex key wrench shall be provided for this set screw. A 1-1/4 x 1-1/4 x 3/16 x 1" angle iron welded to the inner tube prevents the tube from rotating when secured in place.
- The rain hood of the inner tube allows easy depositing of tobacco product waste but restrict the depositing of other non-tobacco waste items.
- The inner tube has two 5/16" dia. holes near the bottom of the tube and the base plate of the outer tube has one 25/32" dia. hole in the center to provide drainage.
- A decal indicating the intended use of the Smoker's Stack will be included.
- **Standard:** The outer and inner tubes have a yellow powder coat finish (indicated by "CY" in model no., e.g. SS/P/CY-1).
- **Optional:** Color choices of powder coated steel frame components. See Specification Bulletin #SPC-CO-001.

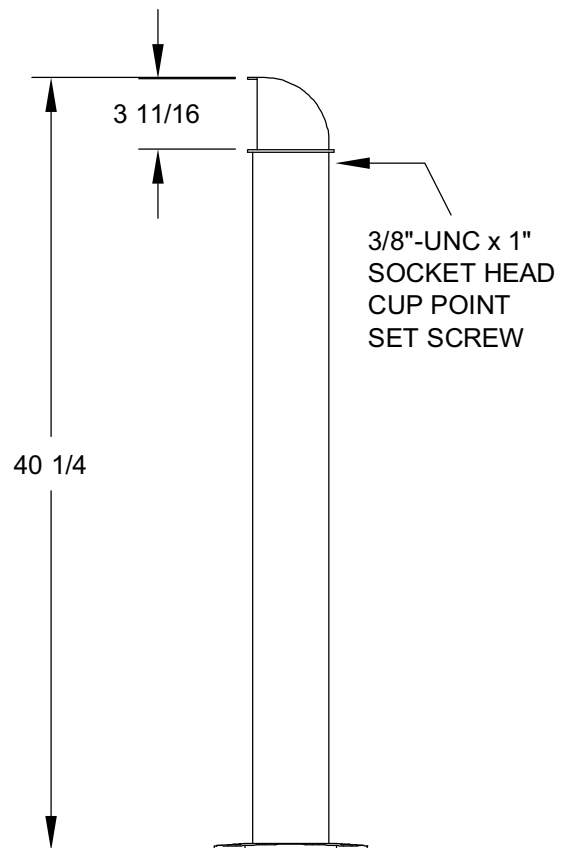
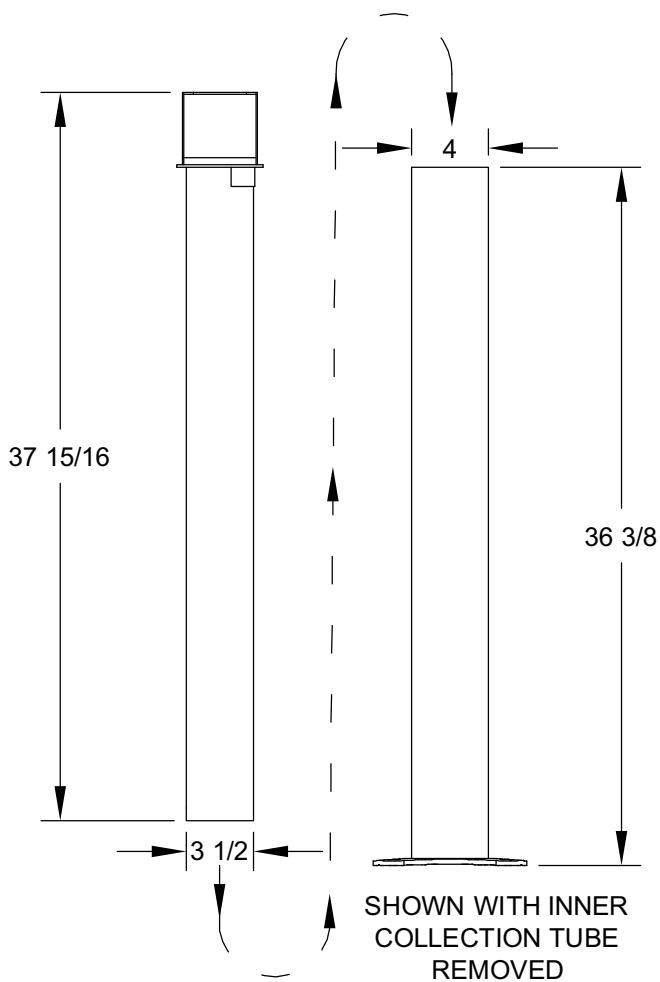
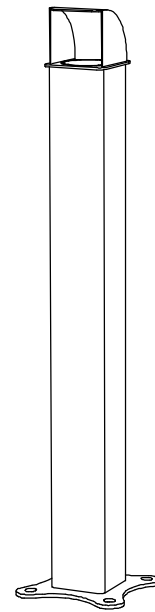
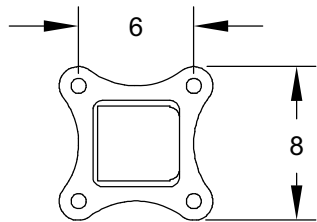
AVAILABLE OPTIONS

Powder Coat Finish in choice of colors

RJThomas Mfg. Co., Inc.

PO Box 946 • Cherokee, IA 51012-0946 • PH: 712-225-5115 • 800-762-5002 • FAX: 712-225-5796
E-mail: pilotrock@rjthomas.com • Web Site: <http://www.pilotrock.com>

© 2008 RJThomas Mfg. Co., Inc. PILOT ROCK® Park Products is a registered trademark of RJThomas Mfg. Co., Inc.



ALL DIMENSIONS IN INCHES

RJThomas
Mfg. Co., Inc.
P.O. Box 946
Cherokee, IA 51012

TITLE MODEL SS/P-1 SMOKER'S STACK
TOBACCO WASTE DIPOSAL STAND

DRAWN BY WWM

DATE 12-10-08

DWG. NO. AI-1658